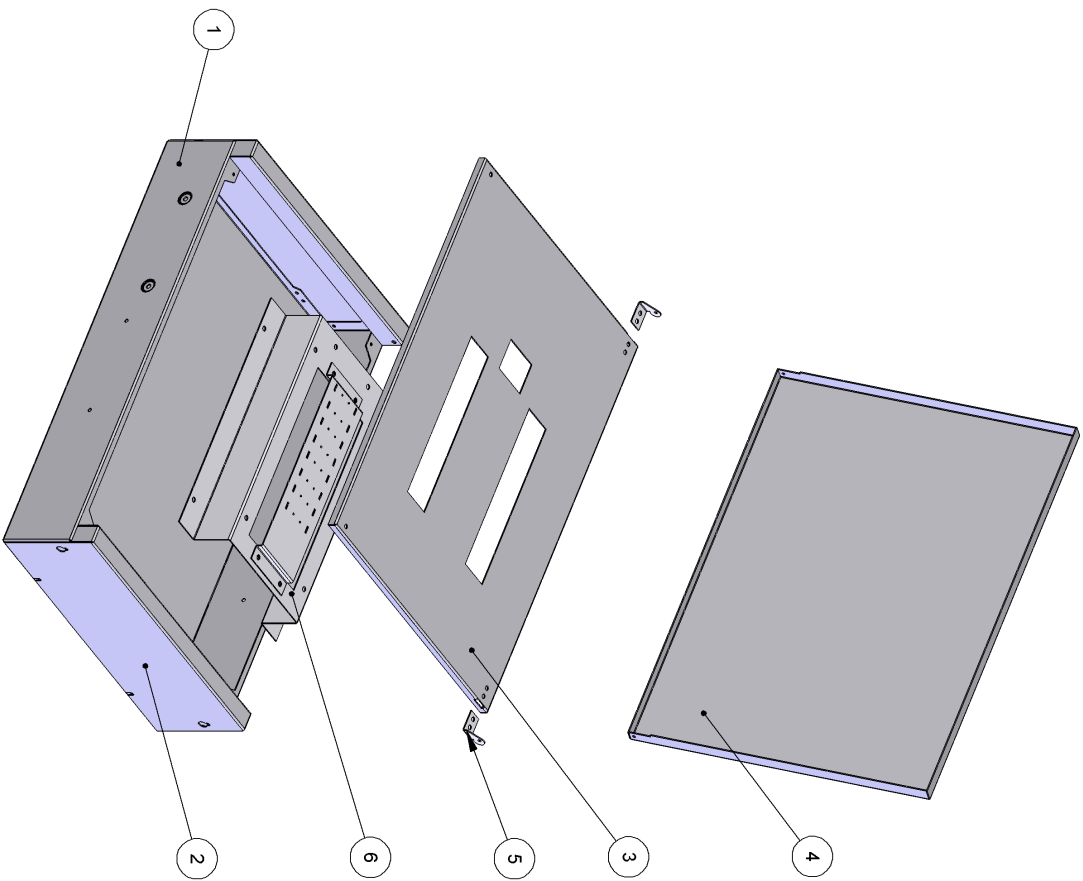


| PARÇA NO (PART NO) | PARÇA KODU (PART CODE) | PARÇA ADI (PART NAME) | ADEDİ (QTY) |
|-----------------------|---------------------------|-------------------------------------|----------------|
| 1 | EB 324P01 | ANA PLAKA (MAIN PLATE) | 1 |
| 2 | EB 324P02 | YANI PLAKA (SIDE PLATE) | 1 |
| 3 | EB 324P03 | ANA KAPAK (MAIN COVER) | 1 |
| 4 | EB 324P04 | ÜST KAPAK (TOP COVER) | 1 |
| 5 | EB 324P05 | KAPAK MENTEŞESİ (HINGE OF COVER) | 1 |
| 6 | EB 324P06 | TABAN SAÇI (ASSEMBLY PLATE) | 1 |



| REV.NO | TARİH / DATE | AÇIKLAMA / DESCRIPTION | KODU CODE | ÇİZİM TARİHİ ISSUE DATE | 29-08-2005 | BURCU GÜRKAŞ BURCU GÜRKAŞ ELECTRICAL-ELECTRONIC ENGINEER | PANO ADI PANEL NAME | EASYBOARD | KİTİLLİ ÖRG.SAN.İBÖL.TURGUT ÖZAL CAD. ŞEFAK OYSANŞİT. 6.BLOK NO:13-18 KİTİLLİ/İST TEL:(0212)671 01 55 (PBX) FAX:(0212)671 01 58 www.tur-tes.com.tr info@tur-tes.com.tr |
|--------|--------------|------------------------|---------------------|----------------------------|------------|--|------------------------|-----------|---|
| | | | SAYFA NO PAGE NO | ÇİZEN DRAWN BY | | | | | |
| | | | 1/1 | KONTROL EDEN CONTROL BY | | | | | |

1 2 3 4 5 6 7

F E D C B A